

Receiver

From

Society
Reference
Address
Phone
Fax
E-mail

Item n° :

60202386

Model :

1 ESYBOX MAX 60/120 M

Pump data

Pressure rating : 11,84 atm
Constant pressure range : 0,986911,84 atm (2,961atm by default)
Min. fluid temperature : 0 °C
Max. fluid temperature : 50 °C
Max. Ambient temperature : 55 °C

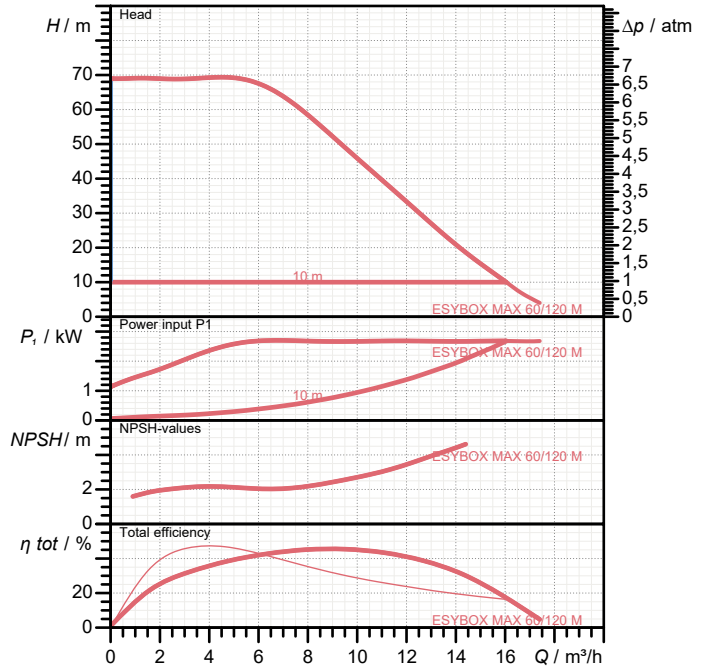
Requested data

Flow :
Head :
Fluid : Water
Fluid Temperature : 20 °C
Density : 998,3 kg/m³
Kinematic viscosity : 1,005 mm²/s
Vapor pressure : 0,02 atm

Materials

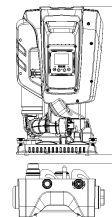
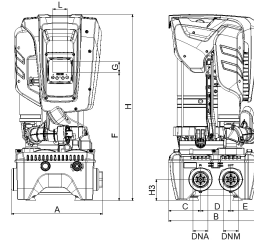
Fitting : Technopolymer PA66 30%GF
Manifold : Stainless Steel AISI 304
Flange : Technopolymer PA66 30%GF
Pump body : Technopolymer PA66 30%GF
Pump body ring : Technopolymer PP 30%GF
Impeller : Technopolymer PP 30%GF/AISI 304
Diffuser : Technopolymer PP 30%GF/AISI 304
Motor axis : Stainless Steel AISI 303
OR ring : EPDM
Motor flange : Technopolymer PA66 30%GF
Mechanical seal : Impregnated carbon-resin/Silicon carbide/EPDM
Motor liner : Stainless Steel AISI 304
Motor body : Technopolymer PA66 30%GF
Conveyor tube : Technopolymer PP 30%GF
Pressure sensor : Nylon/EPDM
Non-return valve : POM/EPDM/AISI 302
Non-return valve body : Technopolymer PA66 30%GF
Tank : Noryl/Rubber
Delivery body : Technopolymer PA66 30%GF
Outer liner : Stainless Steel AISI 304

Curve tolerance according to ISO 9906



Hydraulic data (duty point)

Flow :
Head :



Dimensions in mm

A	375	E	127,7	H3	87		
B	384	F	526	L	59,5		
C	131,8	G	45				
D	124,5	H	766				
DNA	1"1/4 -	H1	613				
DNM	1"1/4 -	H2	228				

Weight : 38 kg

Pump connection

Suction side : 1"1/4 - 2" G / 11,84 atm
Discharge side : 1"1/4 - 2" G / 11,84 atm

Motor data

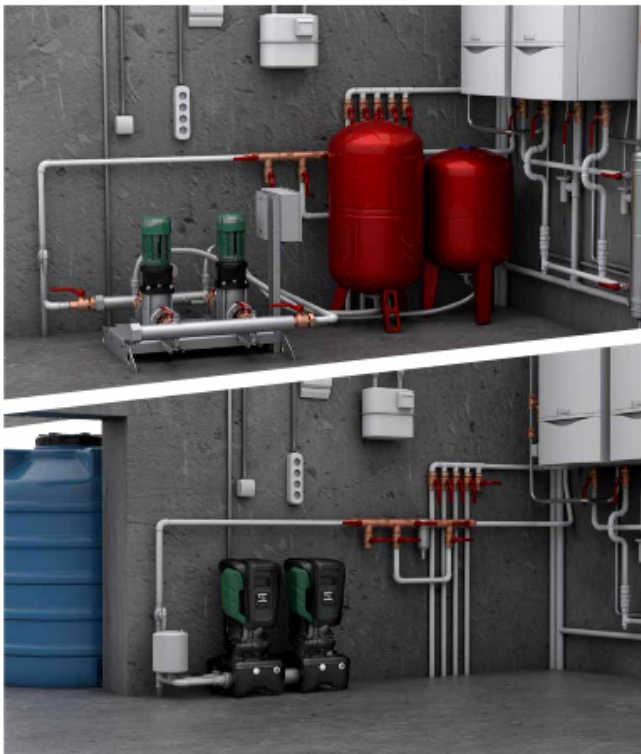
Power input P₁ : 1 x 2,68 kW
Maximum speed : 5.240 1/min
Rated voltage : 1~ 208-240 V 50 Hz
Nominal current : 1 x 11,7 A
Degree of protection : IP X5

ENERGY SAVING

BEFORE

AFTER

- 20%
Compared with
traditional inverter pump



D+CONNECT
BUILT-IN



As quick as a "click"

OSA
ON SITE ASSEMBLY





PERFORMANCE CURVES

2022-10-10

Page 3 / 4

DAB PUMPS S.p.A.
Via Marco Polo, 14 - 35035 Mestrino (PD), Italy
Tel. +39 049 5125000 - Fax +39 049 5125950
www.dabpumps.com

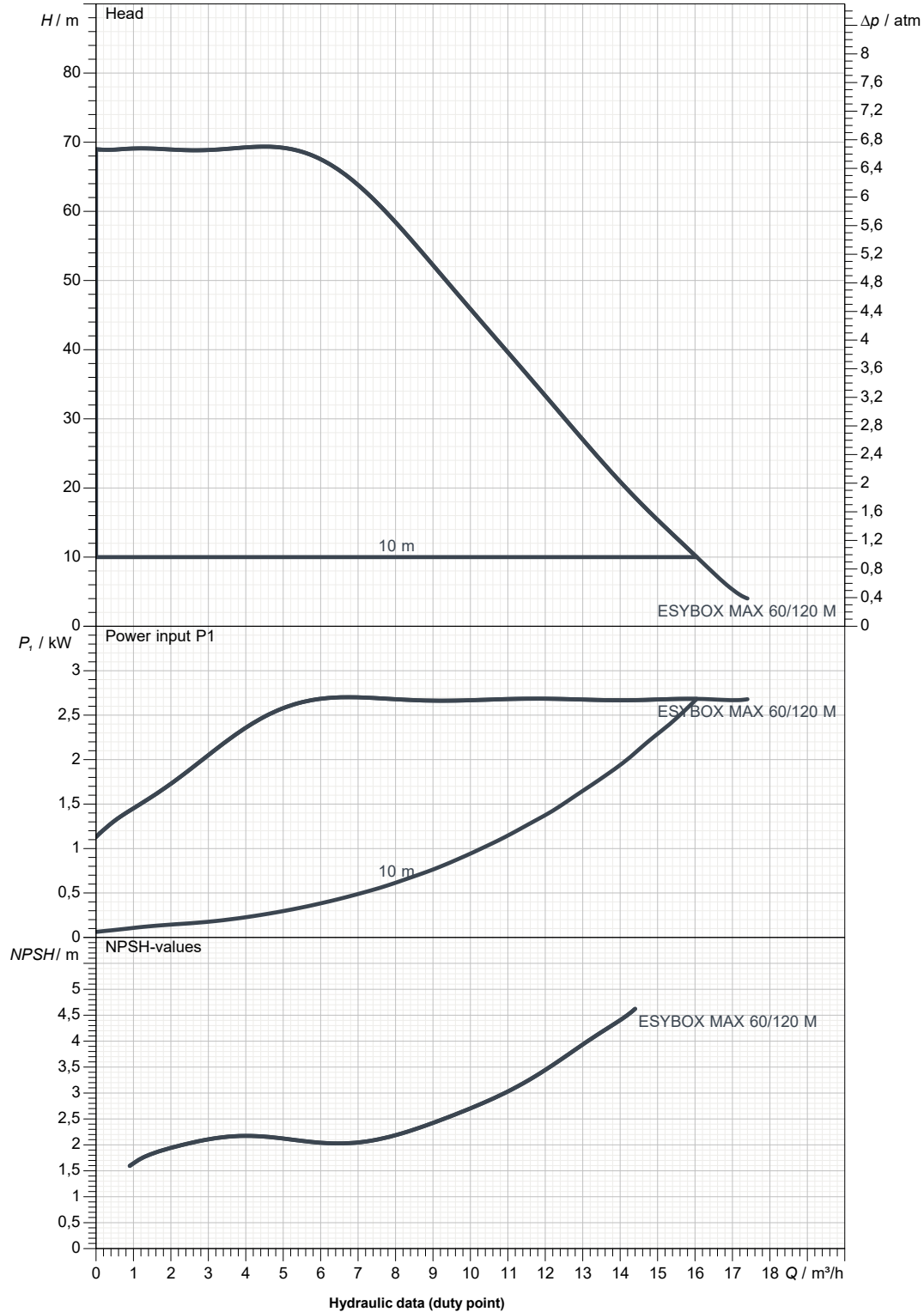
Receiver

From

Society
Reference
Address
Phone
Fax
E-mail

1 ESYBOX MAX 60/120 M

Curve tolerance according to ISO 9906



Suction side :
1"1/4 - 2" G
11,84 atm

Discharge side :
1"1/4 - 2" G
11,84 atm

Flow :

Head :

Rated speed :
5.240 1/min

MAIN_PROJECT_TITLE

BUSINESS_PROCESS_ID

OWNER_

ISSUE_DATE
2022-10-10



DIMENSIONAL DRAWING

DAB PUMPS S.p.A.
Via Marco Polo, 14 - 35035 Mestrino (PD), Italy
Tel. +39 049 5125000 - Fax +39 049 5125950
www.dabpumps.com

2022-10-10

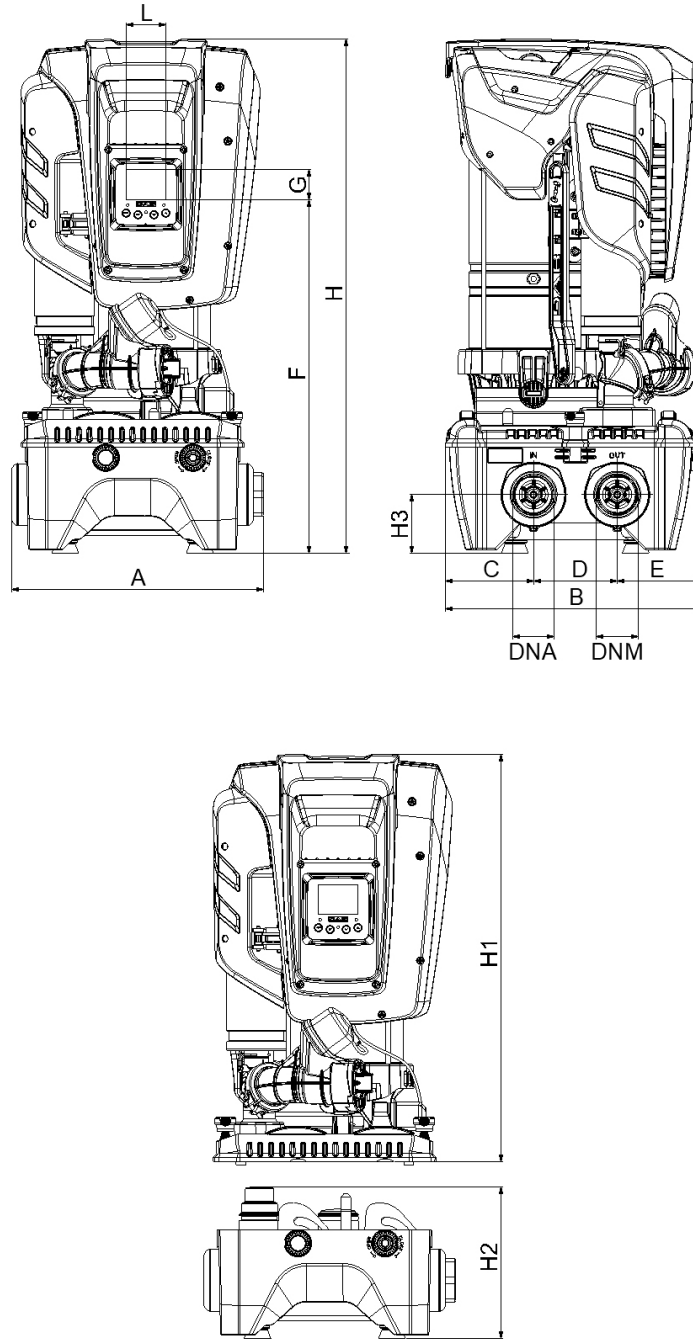
Page 4 / 4

Receiver

From

Society
Reference
Address
Phone
Fax
E-mail

1 ESYBOX MAX 60/120 M



Dimensions in mm					Pump connection	
1	A	375	H3	87	Suction 1"1/4 - 2" G 11,84 atm Discharge 1"1/4 - 2" G 11,84 atm	
2	B	384	L	59,5		
3	C	131,8				
4	D	124,5				
5	DNA	1"1/4 - 2"				
6	DNM	1"1/4 - 2"				
7	E	127,7				
8	F	526				
9	G	45				
10	H	766				
11	H1	613				
12	H2	228				

MAIN_PROJECT_TITLE	BUSINESS_PROCESS_ID	OWNER	ISSUE_DATE 2022-10-10
--------------------	---------------------	-------	---------------------------------